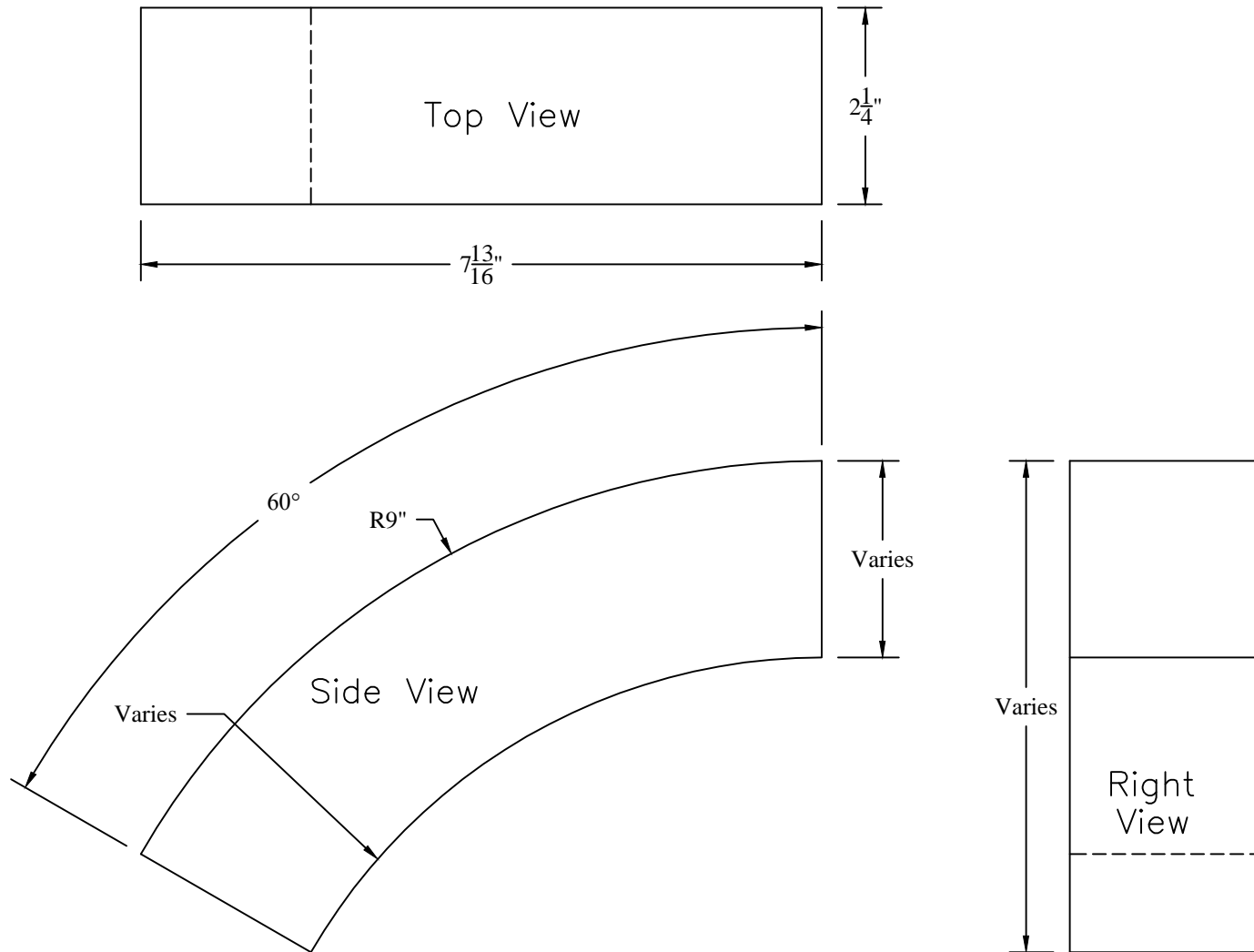


2.25in xx13 Over Easing

REVISIONS

REV	DESCRIPTION	INT'L	DATE
A	ORIGINAL RELEASE	BC	09-10-15



Note:

1. Dims Shown are fixed for all 2.25" wide rails.
2. Rail profile omitted for clarity.

Approved: _____ Date: _____

APPR'D	ITL	DATE	TITLE:
			Rail Fitting Orthographic
DWN BY	BC	09-10-15	DESCRIPTION:
SCALE:	1:2	A SIZE	

OLDWORLD MILLWORKS
www.OldWorldMillworks.com

THIS PRINT & CONTENT ARE PROPERTY OF OLD WORLD MILLWORKS & MAY NOT BE REPRODUCED IN ANY FORM WITHOUT THE CONSENT OF OLD WORLD MILLWORKS.

JOB #/ FILE #
 2.25in xx13 Over Easing

SHEET	REV
1 of 1	A